

Supply Voltage Supervisor with Reset Circuits

1 FEATURES

- Operating Voltage Range:1.2V to 5.5V
- Low Power Consumption:50µA (Max)
- Precision Supply-Voltage Monitor:
2.63V, 2.93V, 3.08V, 4.00V, 4.65V
- Guaranteed RESET Valid at $V_{CC}=1.2V$
- 200ms Reset Pulse Width
- Voltage Monitor for Power-Fail or Low-Battery Warning
- Operating Temperature Range:
-40°C to +125°C
- Push-pull, RESET Output
- Available in Green Package: SOT23

2 APPLICATIONS

- Computers
- SOC 、 DSP or Micro controllers
- Embedded Systems
- Industrial Equipment
- Intelligent Instruments
- Critical µP Power Monitoring
- Wireless Communications Systems

3 DESCRIPTIONS

The RS810 microprocessor (µP) supervisory circuits reduce the complexity and number of components required to monitor power-supply and battery function in µP systems. This device significantly improves system reliability and accuracy compared to separate ICs or discrete components.

These circuits perform a single function: they assert a reset signal whenever the V_{CC} supply voltage declines below a preset threshold, keeping it asserted for at least 200ms after V_{CC} has risen above the reset threshold. Reset thresholds suitable for operation with a variety of supply voltages are available.

The RS810 have push-pull outputs. The RS810 has an active-high RESET output. The reset comparator is designed to ignore fast transients on V_{CC} , and the outputs are guaranteed to be in the correct logic state for V_{CC} down to 1.2V.

Low supply current makes the RS810 ideal for use in portable equipment. The RS810 is available in Green SOT23 package. It operates over an ambient temperature range of -40°C to +125°C.

Device Information ⁽¹⁾

PART NUMBER	PACKAGE	BODY SIZE (NOM)
RS810	SOT23(3)	1.30mm×2.92mm

(1) For all available packages, see the orderable addendum at the end of the data sheet.

4 TYPICAL APPLICATION

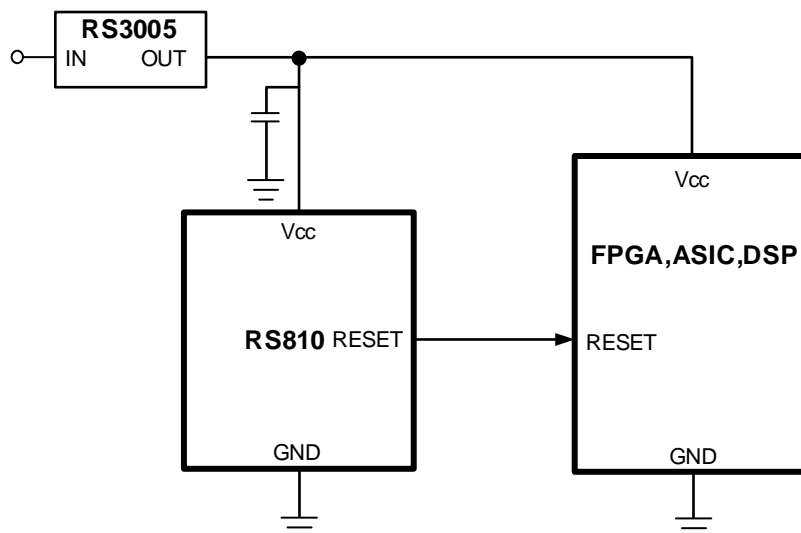


Table of Contents

1 FEATURES	1
2 APPLICATIONS	1
3 DESCRIPTIONS	1
4 TYPICAL APPLICATION	1
5 Revision History	3
6 PACKAGE/ORDERING INFORMATION ⁽¹⁾	4
7 PIN CONFIGURATIONS	5
8 Specifications	6
8.1 Absolute Maximum Ratings ⁽¹⁾	6
8.2 ESD Ratings	6
8.3 ELECTRICAL CHARACTERISTICS	7
8.4 TYPICAL OPERATING CHARACTERISTICS	7
9 Function Block Diagram	10
10 Detailed Description	10
11 Applications Information	11
11.1 Ensuring a Valid RESET Output Down to $V_{CC}=0V$	11
11.2 Reset Timing	11
12 PACKAGE OUTLINE DIMENSIONS	12
13 TAPE AND REEL INFORMATION	13

5 Revision History

Note: Page numbers for previous revisions may differ from page numbers in the current version.

Version	Change Date	Change Item
A.1	2021/08/09	Initial version completed
A.2	2023/07/24	<ol style="list-style-type: none">1. Update PACKAGE MARKING on Page 5@RevA.12. Update Operating Temperature Range: -40°C to +125°C3. Modify Operating Voltage Range: 1.2V to 5.5V4. Update ESD Ratings5. Added RS810-4.65YSF3 ORDERING NUMBER

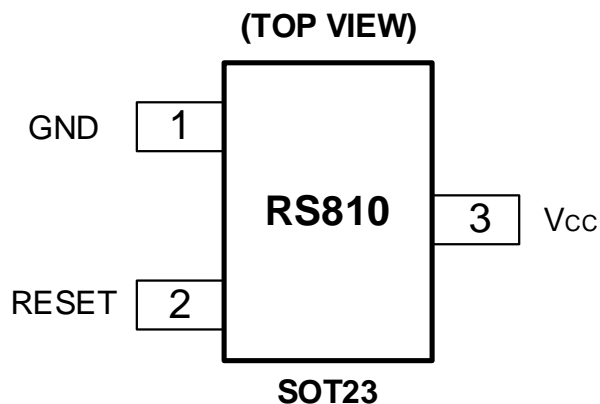
6 PACKAGE/ORDERING INFORMATION ⁽¹⁾

PRODUCT	ORDERING NUMBER	TEMPERATURE RANGE	PACKAGE LEAD	PACKAGE MARKING ^(2/3)	PACKAGE OPTION
RS810	RS810-2.63YSF3	-40°C ~+125°C	SOT23	810B	Tape and Reel,3000
	RS810-2.93YSF3	-40°C ~+125°C	SOT23	810C	Tape and Reel,3000
	RS810-3.08YSF3	-40°C ~+125°C	SOT23	810D	Tape and Reel,3000
	RS810-4.00YSF3	-40°C ~+125°C	SOT23	810E	Tape and Reel,3000
	RS810-4.65YSF3	-40°C ~+125°C	SOT23	810G	Tape and Reel,3000

NOTE:

- (1) This information is the most current data available for the designated devices. This data is subject to change without notice and revision of this document. For browser-based versions of this data sheet, refer to the right-hand navigation.
- (2) There may be additional marking, which relates to the lot trace code information(data code and vendor code), the logo or the environmental category on the device.
- (3) B, C, D, E, G represents different Reset Thresholds.

7 PIN CONFIGURATIONS



PIN DESCRIPTION

PIN	NAME	FUNCTION
SOT23		
1	GND	Ground, reference for all signals.
2	RESET	Active-High Reset Output remains high while V_{CC} is below the reset threshold, and for at least 200ms after V_{CC} rises above the reset threshold.
3	V_{CC}	Power Supply Voltage that is monitored.

8 Specifications

8.1 Absolute Maximum Ratings ⁽¹⁾

over operating free-air temperature range (unless otherwise noted) ⁽¹⁾⁽²⁾

		MIN	MAX	UNIT
V _{CC}	Supply voltage range	-0.5	6.0	V
V _I	Input voltage range ⁽²⁾	-0.5	6.0	V
V _O	Voltage range applied to any output in the high-impedance or power-off state ⁽²⁾	-0.5	6.0	V
V _O	Voltage range applied to any output in the high or low state ⁽²⁾⁽³⁾	-0.5	V _{CC} +0.5	V
I _{IK}	Input clamp current	V _I <0	-20	mA
I _{OK}	Output clamp current	V _O <0	-20	mA
I _O	Continuous output current		±20	mA
	Continuous current through V _{CC} or GND		±20	mA
θ _{JA}	Package thermal impedance ⁽⁴⁾	SOT23	295	°C/W
T _J	Junction temperature ⁽⁵⁾	-65	150	°C
T _{stg}	Storage temperature	-65	150	°C
T _A	Operating temperature	-40	125	°C

(1) Stresses beyond those listed under *Absolute Maximum Ratings* may cause permanent damage to the device. These are stress ratings only, and functional operation of the device at these or any other conditions beyond those indicated under *Recommended Operating Conditions* is not implied. Exposure to absolute-maximum-rated conditions for extended periods may affect device reliability.

(2) The input and output negative-voltage ratings may be exceeded if the input and output current ratings are observed.

(3) The value of V_{CC} is provided in the *Recommended Operating Conditions table*.

(4) The package thermal impedance is calculated in accordance with JESD-51.

(5) The maximum power dissipation is a function of T_{J(MAX)}, R_{θJA}, and T_A. The maximum allowable power dissipation at any ambient temperature is P_D = (T_{J(MAX)} - T_A) / R_{θJA}. All numbers apply for packages soldered directly onto a PCB.

8.2 ESD Ratings

The following ESD information is provided for handling of ESD-sensitive devices in an ESD protected area only.

		VALUE	UNIT
V _(ESD)	Electrostatic discharge	Human-body model (HBM), MIL-STD-883K METHOD 3015.9	±4000
		Machine model (MM), JESD22-A115C (2010)	±200



ESD SENSITIVITY CAUTION

ESD damage can range from subtle performance degradation to complete device failure. Precision integrated circuits may be more susceptible to damage because very small parametric changes could cause the device not to meet its published specifications.

8.3 ELECTRICAL CHARACTERISTICS

($V_{CC} = 2.74V$ to $5.5V$ for RS810-2.63; $V_{CC} = 3.05V$ to $5.5V$ for RS810-2.93; $V_{CC} = 3.21V$ to $5.5V$ for RS810-3.08; $V_{CC} = 4.17V$ to $5.5V$ for RS810-4.00; $V_{CC} = 4.84V$ to $5.5V$ for RS810-4.65; $T_A = -40^{\circ}C$ to $+125^{\circ}C$, unless otherwise noted, typical at $25^{\circ}C$.)

PARAMETER	SYMBOL	TEST CONDITIONS	MIN	TYP	MAX	UNIT
Operating Voltage Range	V_{CC}		1.2		5.5	V
Supply Current	I_{SUPPLY}			20	50	μA
Reset Threshold	V_{RT}	RS810-2.63	2.50	2.63	2.74	V
		RS810-2.93	2.80	2.93	3.05	
		RS810-3.08	2.94	3.08	3.21	
		RS810-4.00	3.82	4.00	4.17	
		RS810-4.65	4.44	4.65	4.84	
Reset Threshold Hysteresis		RS810-2.63		12		mV
		RS810-2.93		14		
		RS810-3.08		15		
		RS810-4.00		20		
		RS810-4.65		23		
Reset Pulse Width	t_{RS}		100	200	460	ms
Reset Threshold Temperature Coefficient ⁽¹⁾				30		ppm/ $^{\circ}C$
V_{CC} to RESET delay	t_{RD}	$V_{CC}=3.3V$, RS810-2.93		33		μs
RESET Output voltage	High	$I_{SOURCE} = 500\mu A$	$0.7 \times V_{CC}$			V
	Low	$I_{SINK} = 1.2mA$			0.4	

(1) This parameter is ensured by design and/or characterization and is not tested in production.

8.4 TYPICAL OPERATING CHARACTERISTICS

NOTE: The graphs and tables provided following this note are a statistical summary based on a limited number of samples and are provided for informational purposes only.

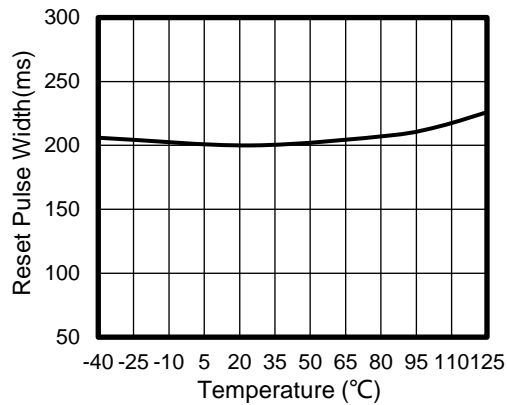


Figure 1. Reset Pulse Width vs Temperature

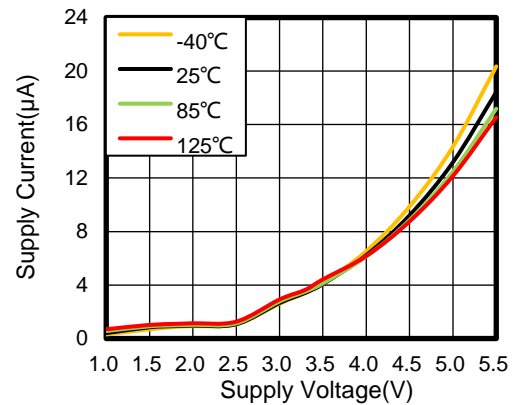


Figure 2. Supply Voltage vs Supply Current

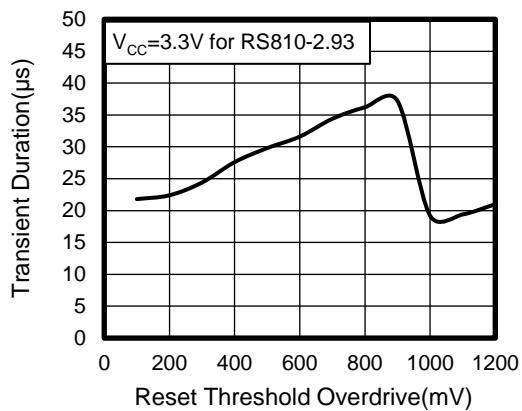


Figure 3. Transient Duration vs Reset Threshold Overdrive

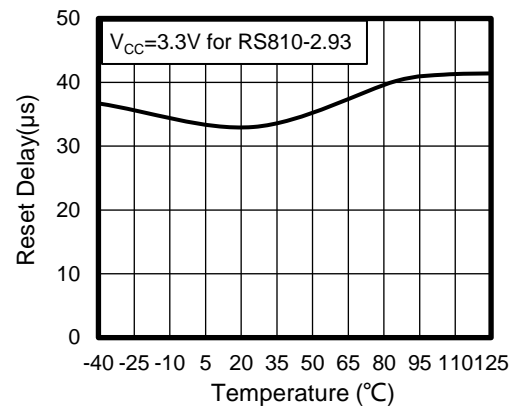


Figure 4. Reset Delay vs Temperature

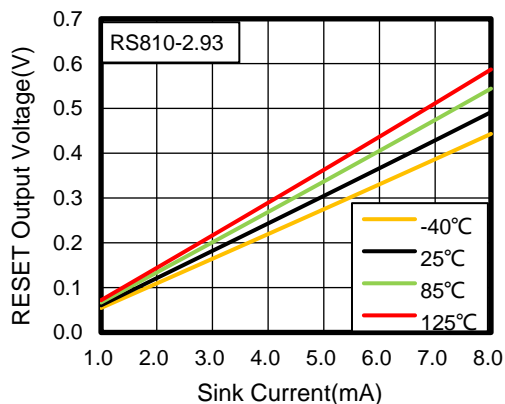


Figure 5. RESET Output Voltage vs Sink Current

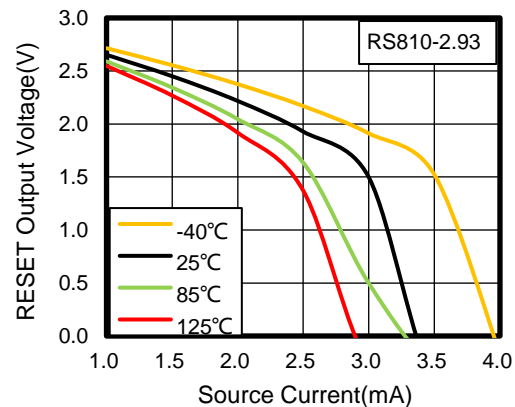


Figure 6. RESET Output Voltage vs Source Current

TYPICAL OPERATING CHARACTERISTICS

NOTE: The graphs and tables provided following this note are a statistical summary based on a limited number of samples and are provided for informational purposes only.

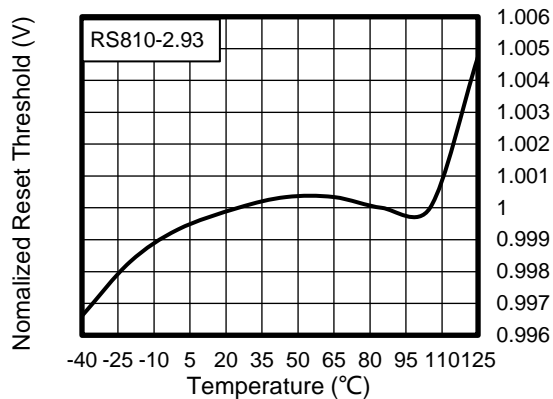
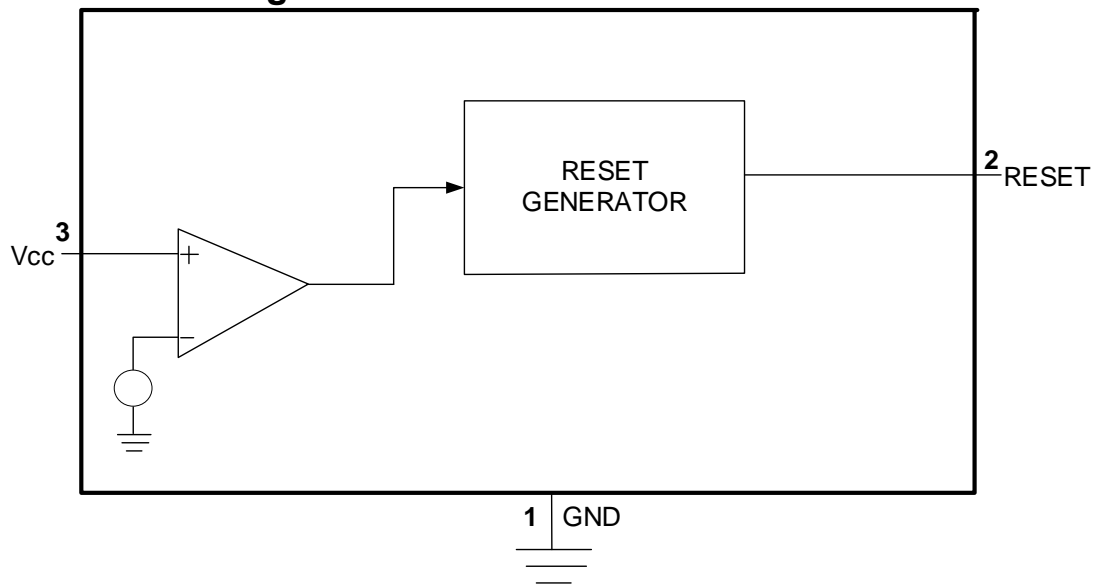


Figure 7. Normalized Reset Threshold vs Temperature

9 Function Block Diagram



10 Detailed Description

A microprocessor's (μP 's) reset input starts the μP in a known state. The RS810 asserts reset to prevent code-execution errors during power-up, power-down or brownout conditions. They assert a reset signal whenever the V_{CC} supply voltage declines below a preset threshold, keeping it asserted for at least 200ms after V_{CC} has risen above the reset threshold. The RS810 have a push-pull output stage.

11 Applications Information

11.1 Ensuring a Valid RESET Output Down to $V_{CC}=0V$

When V_{CC} falls down below 1.2V, the RS810 RESET output no longer sinks current, it becomes an open circuit. High-impedance CMOS logic inputs can drift to undetermined voltages if left un-driven. If a pull-down resistor is added to the RESET pin, as shown in Figure 8, any stray charge or leakage currents will be drained to ground, holding RESET high. Resistor value (R1) is not critical. It should be about 100K Ω , large enough not to load RESET and small enough to pull RESET to ground.

A 100K Ω pull-up resistor to V_{CC} is also recommended for the RS810 if RESET is required to remain valid for $V_{CC} < 1.0V$

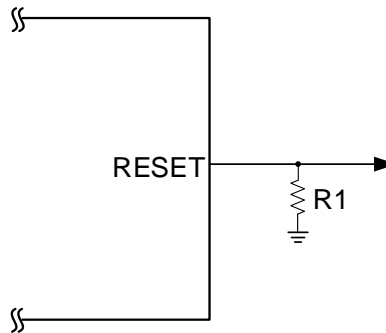


Figure 8. RESET Valid to Ground Circuit

11.2 Reset Timing

The reset signal is asserted high for the RS810 when the power supply voltage falls below the threshold trip voltage and remains asserted for at least 200ms after the power supply voltage has risen above the threshold.

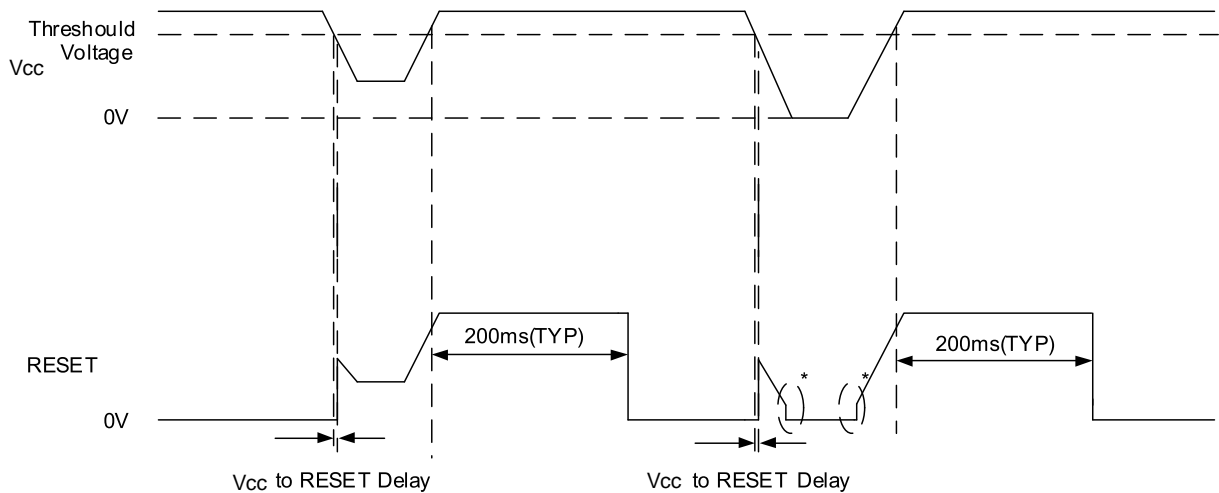
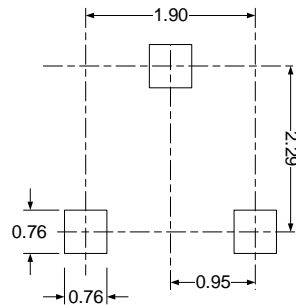
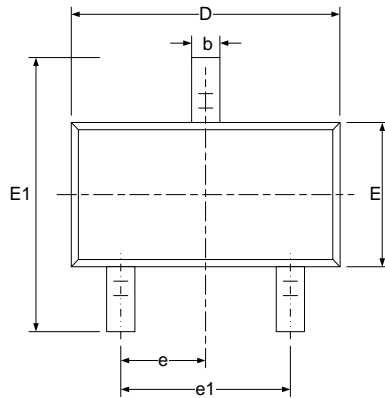


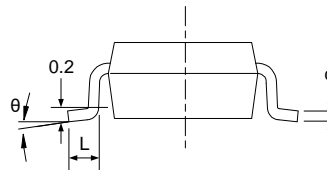
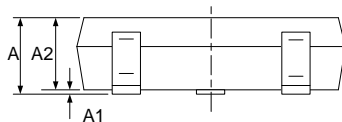
Figure 9. RESET Timing Diagram

12 PACKAGE OUTLINE DIMENSIONS

SOT23 (3)



RECOMMENDED LAND PATTERN (Unit: mm)



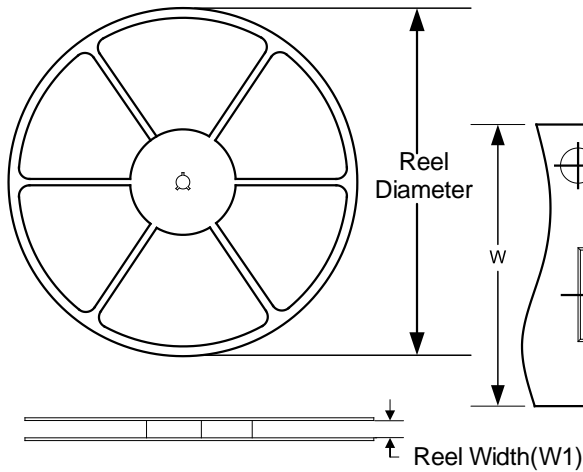
Symbol	Dimensions In Millimeters		Dimensions In Inches	
	Min	Max	Min	Max
A ⁽¹⁾	0.900	1.150	0.035	0.045
A1	0.000	0.100	0.000	0.004
A2	0.900	1.050	0.035	0.041
b	0.300	0.500	0.012	0.020
c	0.080	0.150	0.003	0.006
D ⁽¹⁾	2.800	3.000	0.110	0.118
E ⁽¹⁾	1.200	1.400	0.047	0.055
E1	2.250	2.550	0.089	0.100
e	0.950 (BSC) ⁽²⁾		0.037 (BSC) ⁽²⁾	
e1	1.800	2.000	0.071	0.079
L	0.300	0.500	0.012	0.020
θ	0°	8°	0°	8°

NOTE:

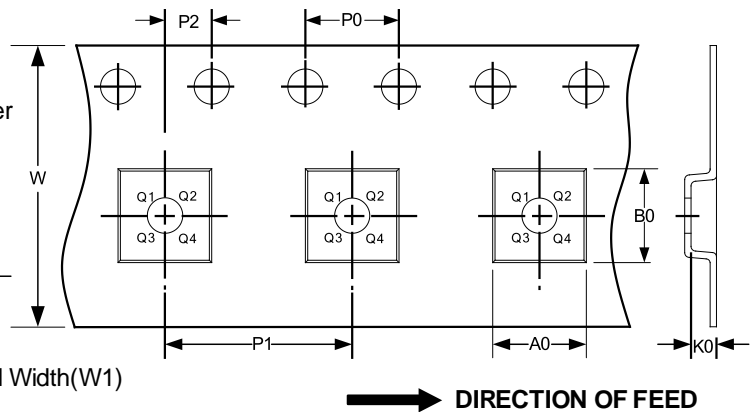
1. Plastic or metal protrusions of 0.15mm maximum per side are not included.
2. BSC (Basic Spacing between Centers), "Basic" spacing is nominal.
3. This drawing is subject to change without notice.

13 TAPE AND REEL INFORMATION

REEL DIMENSIONS



TAPE DIMENSION



NOTE: The picture is only for reference. Please make the object as the standard.

KEY PARAMETER LIST OF TAPE AND REEL

Package Type	Reel Diameter	Reel Width (mm)	A0 (mm)	B0 (mm)	K0 (mm)	P0 (mm)	P1 (mm)	P2 (mm)	W (mm)	Pin1 Quadrant
SOT23	7"	9.5	3.15	2.77	1.22	4.0	4.0	2.0	8.0	Q3

NOTE:

1. All dimensions are nominal.
2. Plastic or metal protrusions of 0.15mm maximum per side are not included.

IMPORTANT NOTICE AND DISCLAIMER

Jiangsu Runic Technology Co., Ltd. will accurately and reliably provide technical and reliability data (including data sheets), design resources (including reference designs), application or other design advice, WEB tools, safety information and other resources, without warranty of any defect, and will not make any express or implied warranty, including but not limited to the warranty of merchantability Implied warranty that it is suitable for a specific purpose or does not infringe the intellectual property rights of any third party.

These resources are intended for skilled developers designing with Runic products You will be solely responsible for: (1) Selecting the appropriate products for your application; (2) Designing, validating and testing your application; (3) Ensuring your application meets applicable standards and any other safety, security or other requirements; (4) Runic and the Runic logo are registered trademarks of Runic Incorporated. All trademarks are the property of their respective owners; (5) For change details, review the revision history included in any revised document. The resources are subject to change without notice. Our company will not be liable for the use of this product and the infringement of patents or third-party intellectual property rights due to its use.